



CADENAS 3D Biblioteka Schiedel, BIM  
5.Međunarodni kongres dani inženjera strojarstva

Zvonimir Brković, Vodice, 29.-31.03. 2017.

  
**SCHIEDEL**  
Heating. Venting. Living.

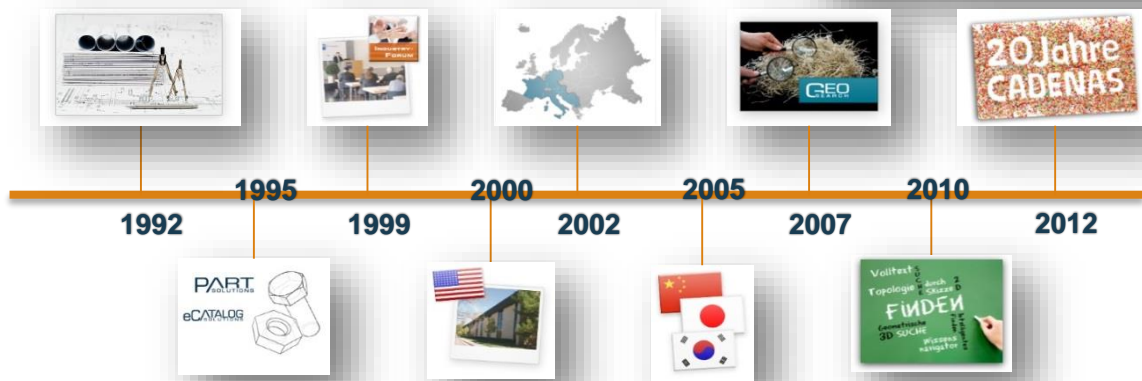
Part of the **BRAAS MONIER BUILDING GROUP**



# CADENAS Technologies AG



Godina osnivanja tvrtke: 1992  
 Od početka u privatnom vlasništvu  
 Sjedište firme u Augsburgu –  
 14 lokacija po cijelom svijetu (HR: Slavonski Brod)  
 sa oko 300 zaposlenika



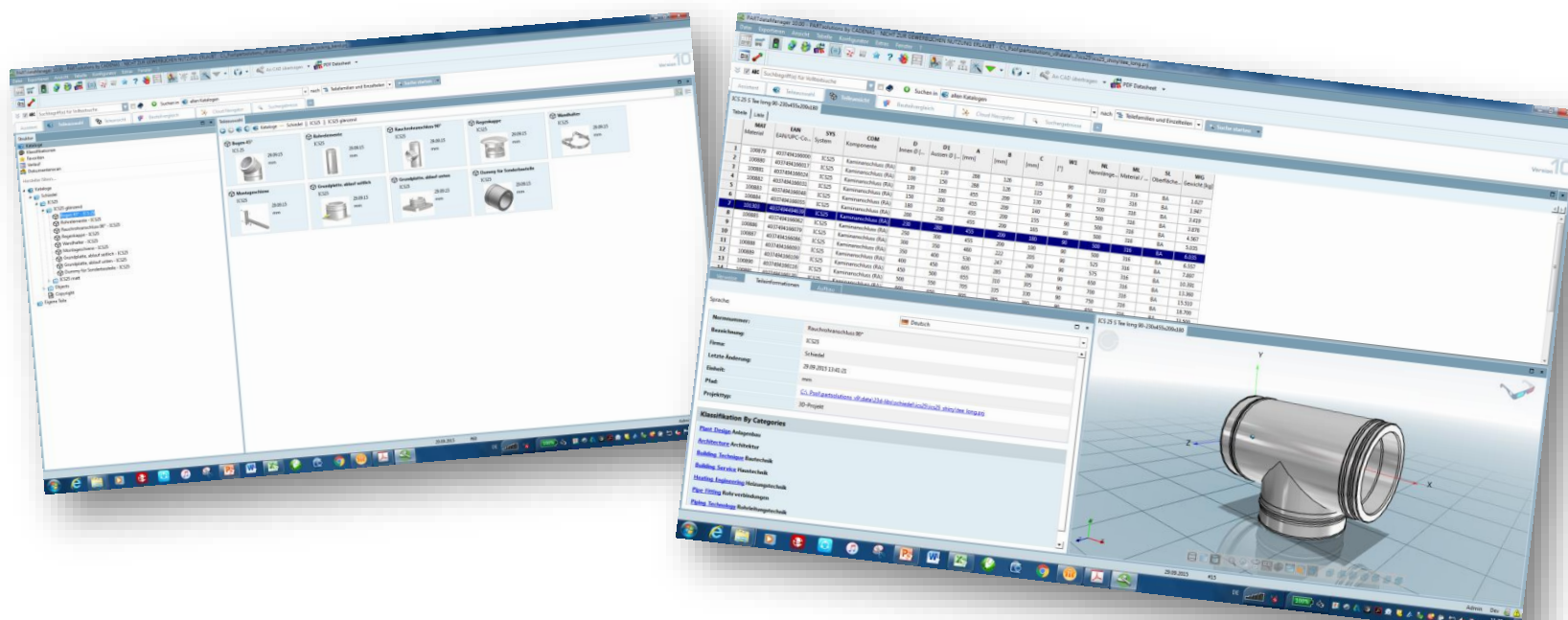
Koji su zahtjevi SCHIEDEL-ovih kupaca po pitanju planiranja, projektiranja, BIM (Building Information Modeling) i ostalih informacija



- trebaju nam dimenzije vaših proizvoda
- trebaju nam projektantski suport na komercijalnim projektima inox dimnjaka
- trebaju nam inteligentni BIM modeli
- trebaju nam 2D/3D simboli za arhitekturne software
- trebaju nam simboli projektantske strojarske tehnologije
- trebaju nam dodatne informacije koje ne možemo naći u cjeniku.
- sve promjene na proizvodima trebaju nam u realnom vremenu

## 3D-Simboli u svim formatima za projektante i arhitekte

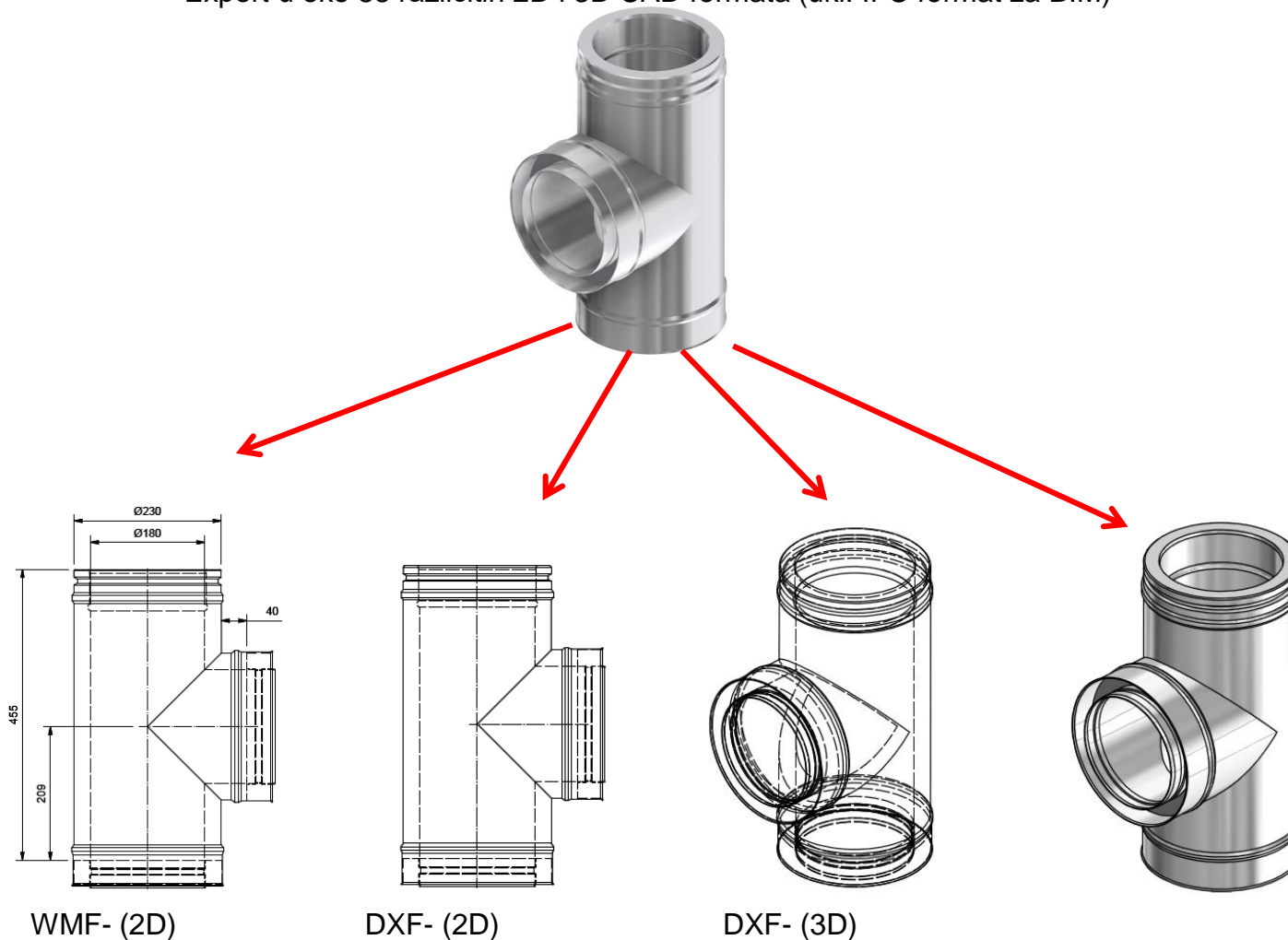
- **Schiedel** je u suradnji sa firmom **CADENAS** u 2016 počeo sa projektom izrade 3D-modela u neutralnom formatu koje mogu koristiti projektanti i arhitekti
- Ovi 3D modeli mogu se koristiti u gotovo svim 3D CAD programima.
- Export modela moguć je u oko **85 različitih 2D i 3D CAD formata** (ukl. IFC formatom za BIM)





## 3D-modeli za dimnjački sistem ICS25 (Start 01/2016 )

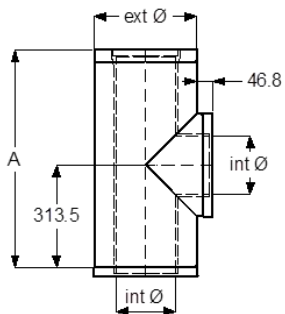
**Sistem ICS25:** **1392 elemenata**  
**73 različitih produktnih kategorija** (npr.: cijevi, T-komadi, adapteri,...)  
Export u oko 85 različitih 2D i 3D CAD formata (ukl. IFC format za BIM)



# Koji suport projektantima danas nudi SCHIEDEL?

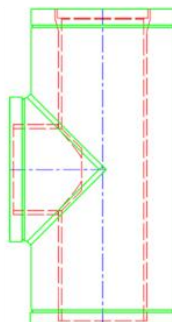
## WMF-simboli (2D)

za cjenike i prospekte,...



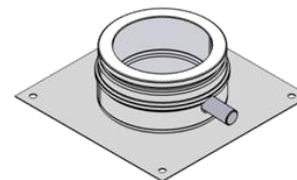
## DXF-simboli (2D)

za projektante i arhitekta, ...



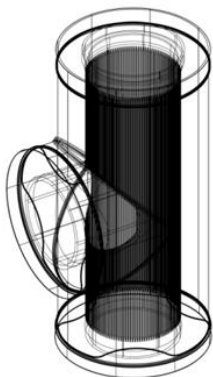
## JPEG-simboli (2D)

za cjenike i prospekte,...



## DXF-simboli (3D)

za cjenike i prospekte,...



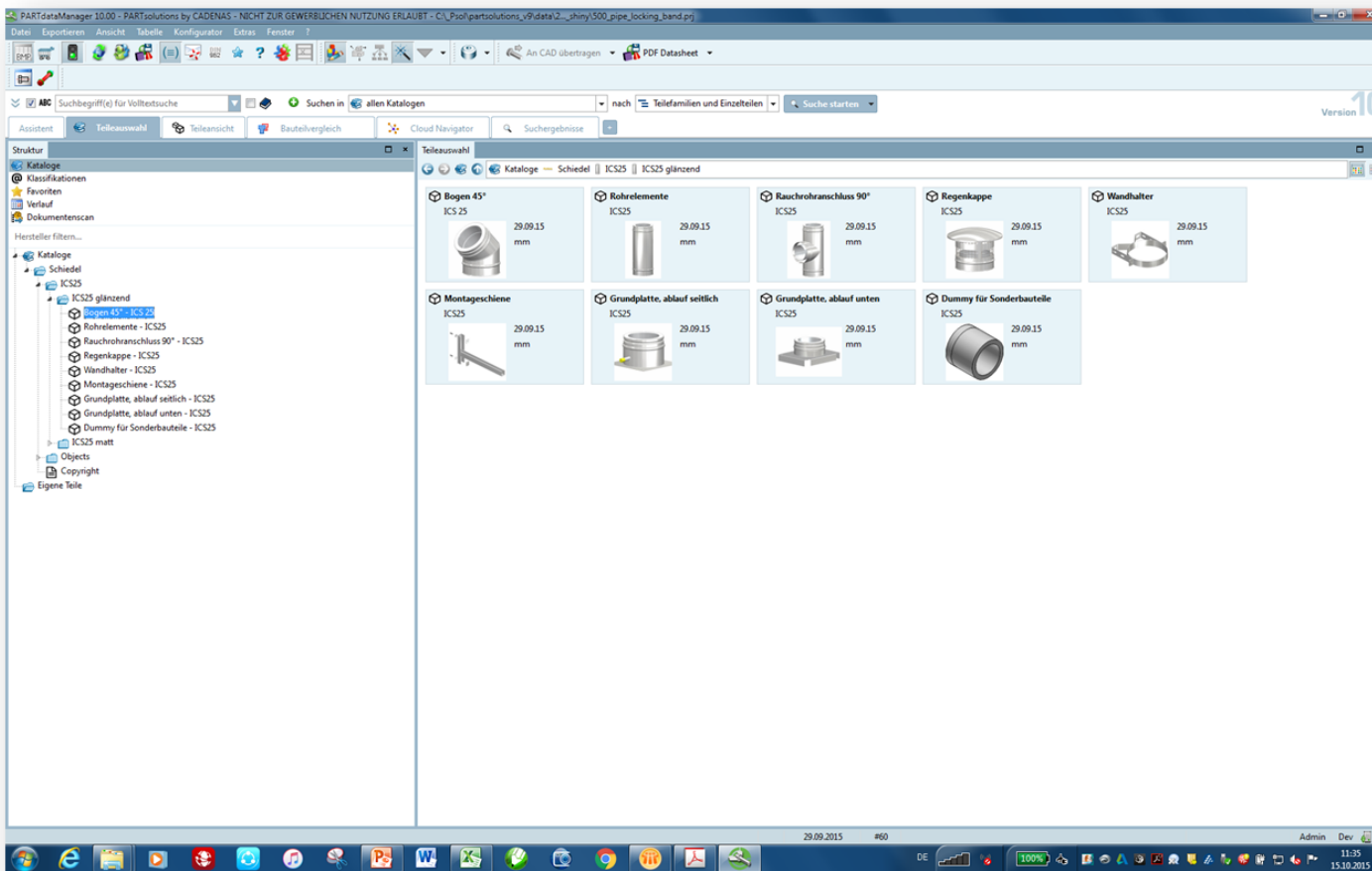
## 3D-modeli (INVENTOR)

parametričko sastavljanje



# SCHIEDEL 3D modeli

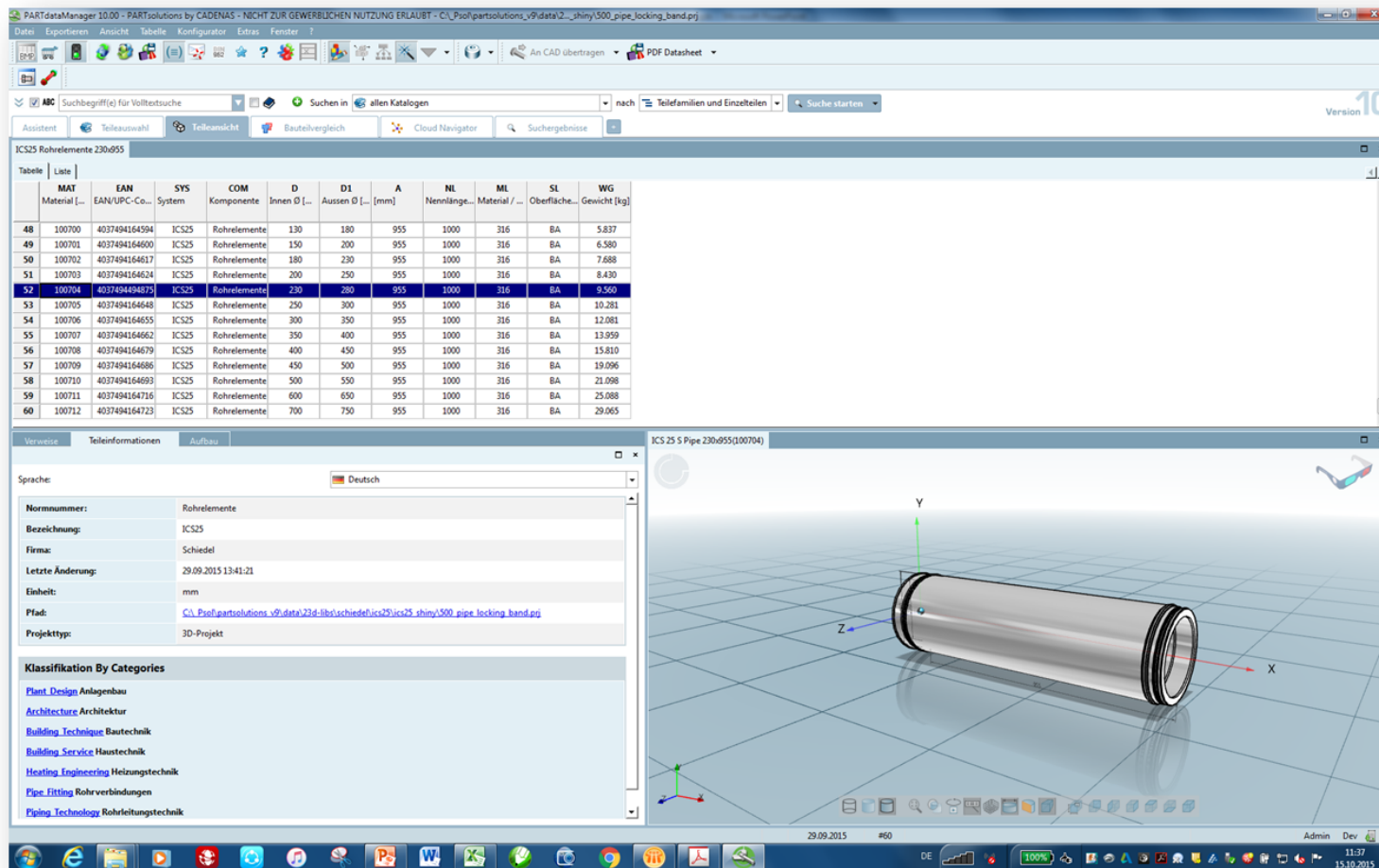
Ovo je prvi pogled kako su ove komponente konstruirane





# PARTmanager

## Npr. ICS25 cijevi



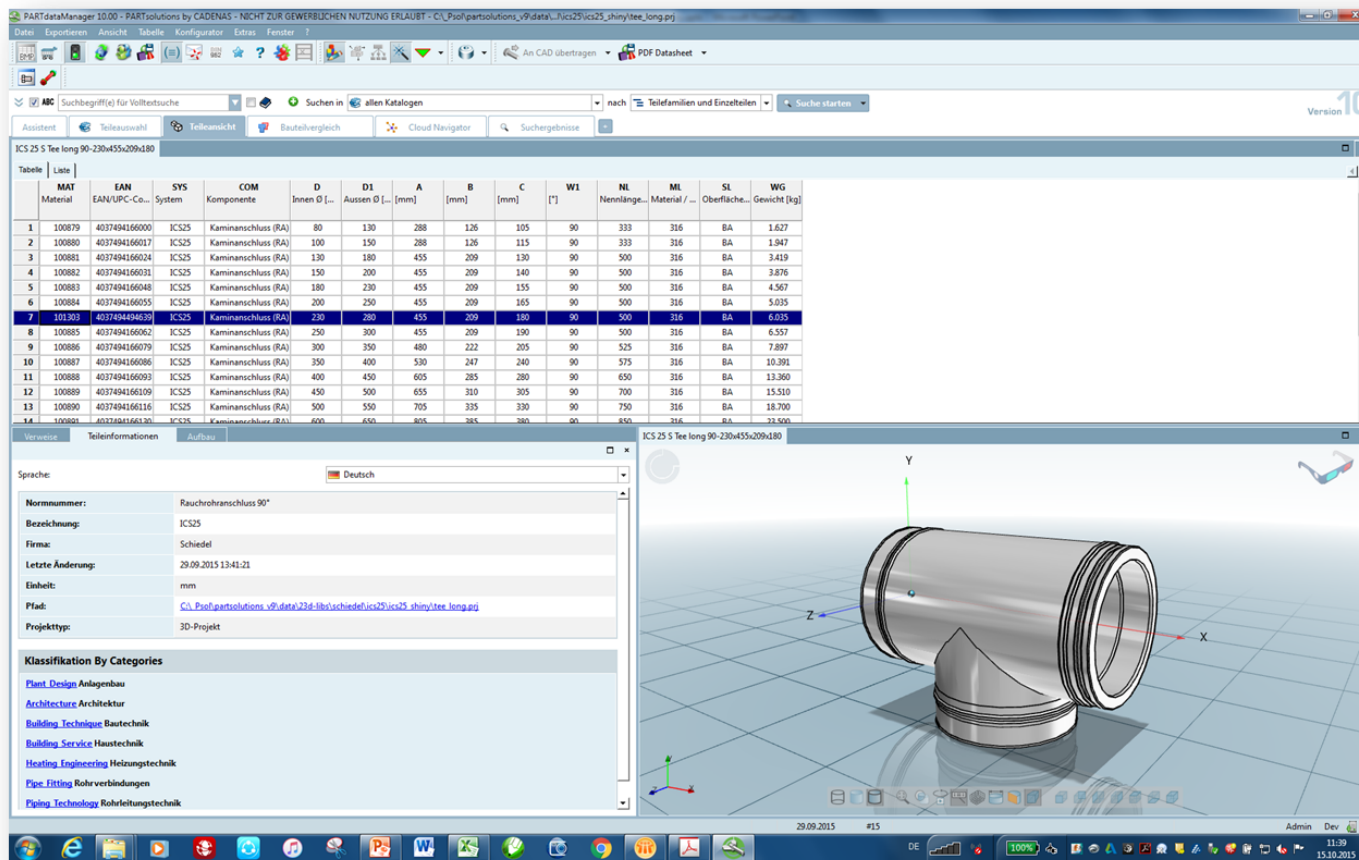
The screenshot displays the PARTdataManager 10.00 interface. The main window shows a table of ICS25 pipe elements with the following data:

	MAT	Material	EAN/UFC-Code	SYS	System	COM	Komponente	D	Innen Ø [..]	D1	Aussen Ø [.. [mm]	A	NL	Nennlänge...	ML	Material / ...	SL	Oberfläche...	WG	Gewicht [kg]
48	100700		4037494164594	ICS25		Rohrelemente		130	180	955	1000	316	BA	5.837						
49	100701		4037494164600	ICS25		Rohrelemente		150	200	955	1000	316	BA	6.580						
50	100702		4037494164617	ICS25		Rohrelemente		180	230	955	1000	316	BA	7.688						
51	100703		4037494164624	ICS25		Rohrelemente		200	250	955	1000	316	BA	8.430						
52	100704		403749404875	ICS25		Rohrelemente		230	280	955	1000	316	BA	9.560						
53	100705		4037494164648	ICS25		Rohrelemente		250	300	955	1000	316	BA	10.281						
54	100706		4037494164655	ICS25		Rohrelemente		300	350	955	1000	316	BA	12.081						
55	100707		4037494164662	ICS25		Rohrelemente		350	400	955	1000	316	BA	13.959						
56	100708		4037494164679	ICS25		Rohrelemente		400	450	955	1000	316	BA	15.810						
57	100709		4037494164686	ICS25		Rohrelemente		450	500	955	1000	316	BA	19.096						
58	100710		4037494164693	ICS25		Rohrelemente		500	550	955	1000	316	BA	21.098						
59	100711		4037494164716	ICS25		Rohrelemente		600	650	955	1000	316	BA	25.088						
60	100712		4037494164723	ICS25		Rohrelemente		700	750	955	1000	316	BA	29.065						

The 3D model shows a cylindrical pipe with a diameter of 230 mm, positioned in a coordinate system with X, Y, and Z axes. The software interface includes a search bar, a toolbar, and a taskbar at the bottom.

# PARTmanager

## Npr. ICS25 T-komadi



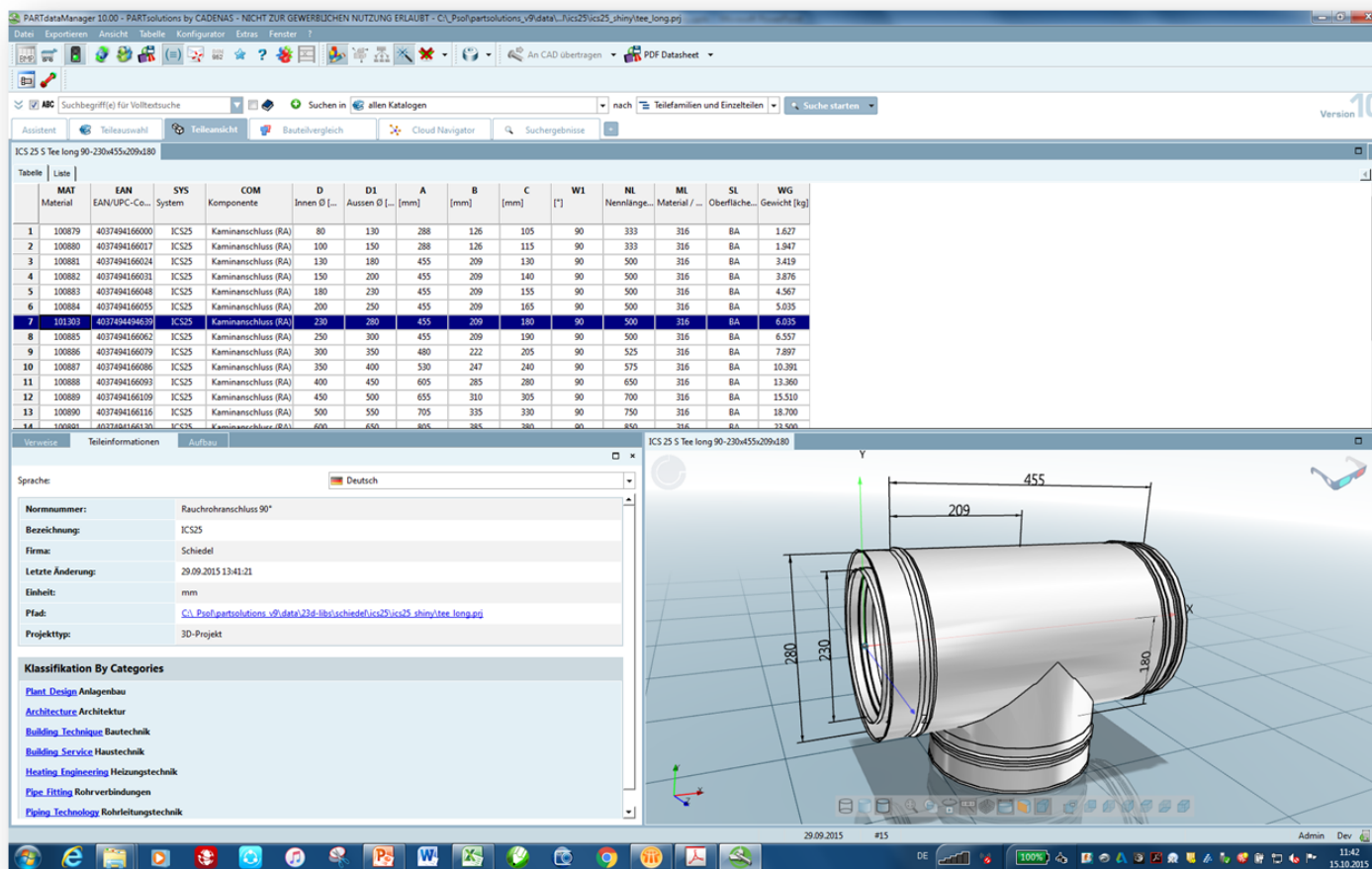
The screenshot displays the PARTmanager interface. At the top, there's a menu bar and a search bar. Below that, a table lists various ICS25 T-joint components. The table has columns for material, EAN, system, component name, and various dimensions. A 3D model of a selected component is shown on the right side of the interface.

	MAT	EAN	SYS	COM	D	D1	A	B	C	W1	NL	ML	SL	WG
	Material	EAN/UPC-Co...	System	Komponente	Innen Ø [...]	Aussen Ø [...]	[mm]	[mm]	[mm]	[°]	Nennlänge...	Material / ...	Oberfläche...	Gewicht [kg]
1	100879	4037494166000	ICS25	Kaminschluss (RA)	80	130	288	126	105	90	333	316	BA	1.627
2	100880	4037494166017	ICS25	Kaminschluss (RA)	100	150	288	126	115	90	333	316	BA	1.947
3	100881	4037494166024	ICS25	Kaminschluss (RA)	130	180	455	209	130	90	500	316	BA	3.419
4	100882	4037494166031	ICS25	Kaminschluss (RA)	150	200	455	209	140	90	500	316	BA	3.876
5	100883	4037494166048	ICS25	Kaminschluss (RA)	180	230	455	209	155	90	500	316	BA	4.567
6	100884	4037494166055	ICS25	Kaminschluss (RA)	200	250	455	209	165	90	500	316	BA	5.035
7	101303	4037494494639	ICS25	Kaminschluss (RA)	230	280	455	209	180	90	500	316	BA	6.035
8	100885	4037494166062	ICS25	Kaminschluss (RA)	250	300	455	209	190	90	500	316	BA	6.557
9	100886	4037494166079	ICS25	Kaminschluss (RA)	300	350	480	222	205	90	525	316	BA	7.897
10	100887	4037494166086	ICS25	Kaminschluss (RA)	350	400	530	247	240	90	575	316	BA	10.391
11	100888	4037494166093	ICS25	Kaminschluss (RA)	400	450	605	285	280	90	650	316	BA	13.360
12	100889	4037494166109	ICS25	Kaminschluss (RA)	450	500	655	310	305	90	700	316	BA	15.510
13	100890	4037494166116	ICS25	Kaminschluss (RA)	500	550	705	335	330	90	750	316	BA	18.700
14	100904	4037494166130	ICS25	Kaminschluss (RA)	600	650	805	385	380	90	850	316	BA	23.500

Below the table, there's a 'Teileinformationen' (Part Information) panel showing details for the selected part (ICS25 T-joint). It includes fields for Normnummer (Rauchrohranschluss 90°), Bezeichnung (ICS25), Firma (Schiedel), and other technical specifications. A 3D model of the part is displayed on the right, showing its T-joint geometry with coordinate axes (X, Y, Z).

# PARTmanager

Npr. ICS25 T-komadi sa dimenzijama



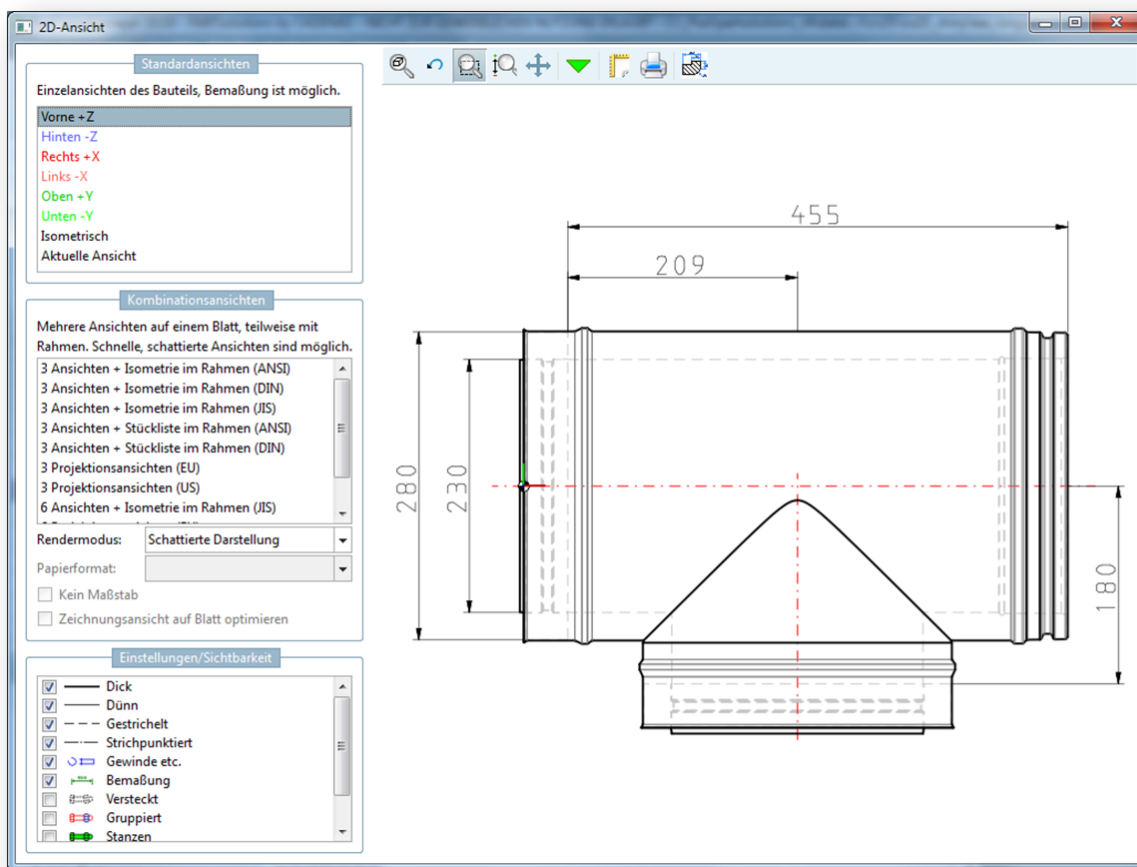
The screenshot displays the PARTmanager interface with a table of dimensions for ICS25 T-joints and a 3D model of the selected part (ICS25 S Tee long 90-230x455x209x180).

MAI	EAN	SYS	COM	D	D1	A	B	C	W1	NL	ML	SL	WG	
Material	EAN/UPC-Co...	System	Komponente	Innen Ø [...]	Aussen Ø [...]	[mm]	[mm]	[mm]	[°]	Nennlänge...	Material / ...	Oberfläche...	Gewicht [kg]	
1	100879	4037494166000	ICS25	Kaminanschluss (RA)	80	130	288	126	105	90	333	316	BA	1.627
2	100880	4037494166017	ICS25	Kaminanschluss (RA)	100	150	288	126	115	90	333	316	BA	1.947
3	100881	4037494166024	ICS25	Kaminanschluss (RA)	130	180	455	209	130	90	500	316	BA	3.419
4	100882	4037494166031	ICS25	Kaminanschluss (RA)	150	200	455	209	140	90	500	316	BA	3.876
5	100883	4037494166048	ICS25	Kaminanschluss (RA)	180	230	455	209	155	90	500	316	BA	4.567
6	100884	4037494166055	ICS25	Kaminanschluss (RA)	200	250	455	209	165	90	500	316	BA	5.035
7	101303	4037494494639	ICS25	Kaminanschluss (RA)	230	280	455	209	180	90	500	316	BA	6.035
8	100885	4037494166062	ICS25	Kaminanschluss (RA)	250	300	455	209	190	90	500	316	BA	6.557
9	100886	4037494166079	ICS25	Kaminanschluss (RA)	300	350	480	222	205	90	525	316	BA	7.897
10	100887	4037494166086	ICS25	Kaminanschluss (RA)	350	400	530	247	240	90	575	316	BA	10.391
11	100888	4037494166093	ICS25	Kaminanschluss (RA)	400	450	605	285	280	90	650	316	BA	13.360
12	100889	4037494166109	ICS25	Kaminanschluss (RA)	450	500	655	310	305	90	700	316	BA	15.510
13	100890	4037494166116	ICS25	Kaminanschluss (RA)	500	550	705	335	330	90	750	316	BA	18.700
14	100891	4037494166123	ICS25	Kaminanschluss (RA)	600	650	805	385	380	90	850	316	BA	23.500

The 3D model shows a T-joint with the following dimensions: total length 455 mm, distance from the end to the branch 209 mm, main pipe diameter 230 mm, branch diameter 180 mm, and total height 280 mm.

# PARTmanager

Npr. ICS25 T-komadi - prikaz 2D crteža sa dimenzijama



# Registracija (kreirajte besplatni račun)

Link za pristup i preuzimanje: <http://schiedel.partcommunity.com>

**Create Free Account**

Account Data

User name \* PUEHRHECAD  
Password \* ●●●●●●●●  
Confirm Password \* ●●●●●●●●  
Email \* herbert.puehringer@schiedel.com ⓘ Please use company address if possible, freemailer addresses may be blocked for download

Personal Information

Transmit your position in order to fill out address fields automatically

Title \* Mr.  
First name \* Herbert  
Last name \* Pühringer  
Company \* SCHIEDEL GmbH  
Country \* Austria (Österreich)  
Street \* Friedrich-Schiedel-Str. 2-6  
ZIP \* 4542  
City \* Hußbach  
Area \* Oberösterreich  
Phone \* +43 50 6161 173

General Preferences

Language \* Deutsch  
I agree, that my mail address will be used for marketing   
Inform me about Cadenas news   
Inform me about product specific news

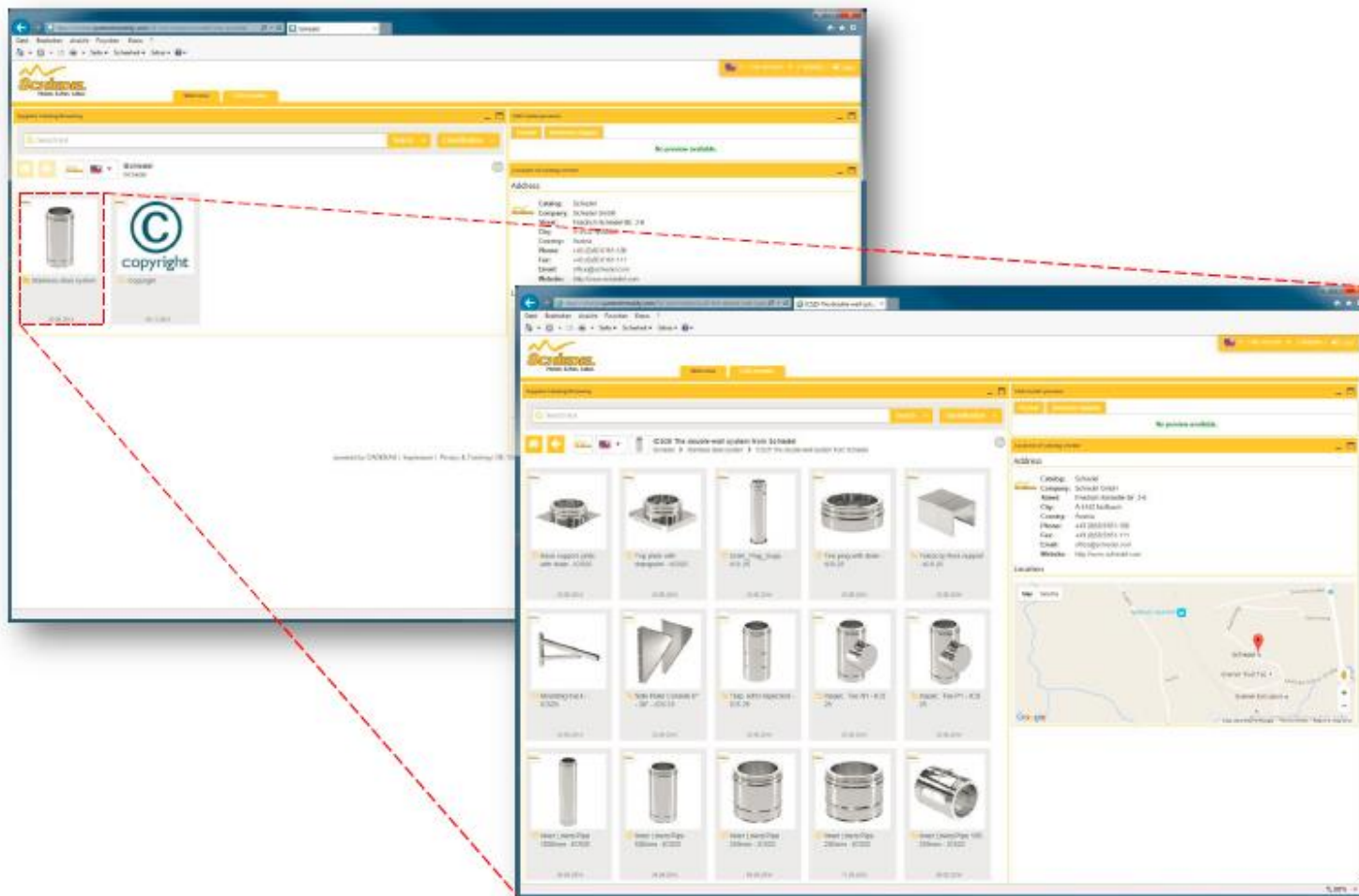
License Agreement

Read licence agreement  
I have read and accepted the licence agreement

\* Required fields

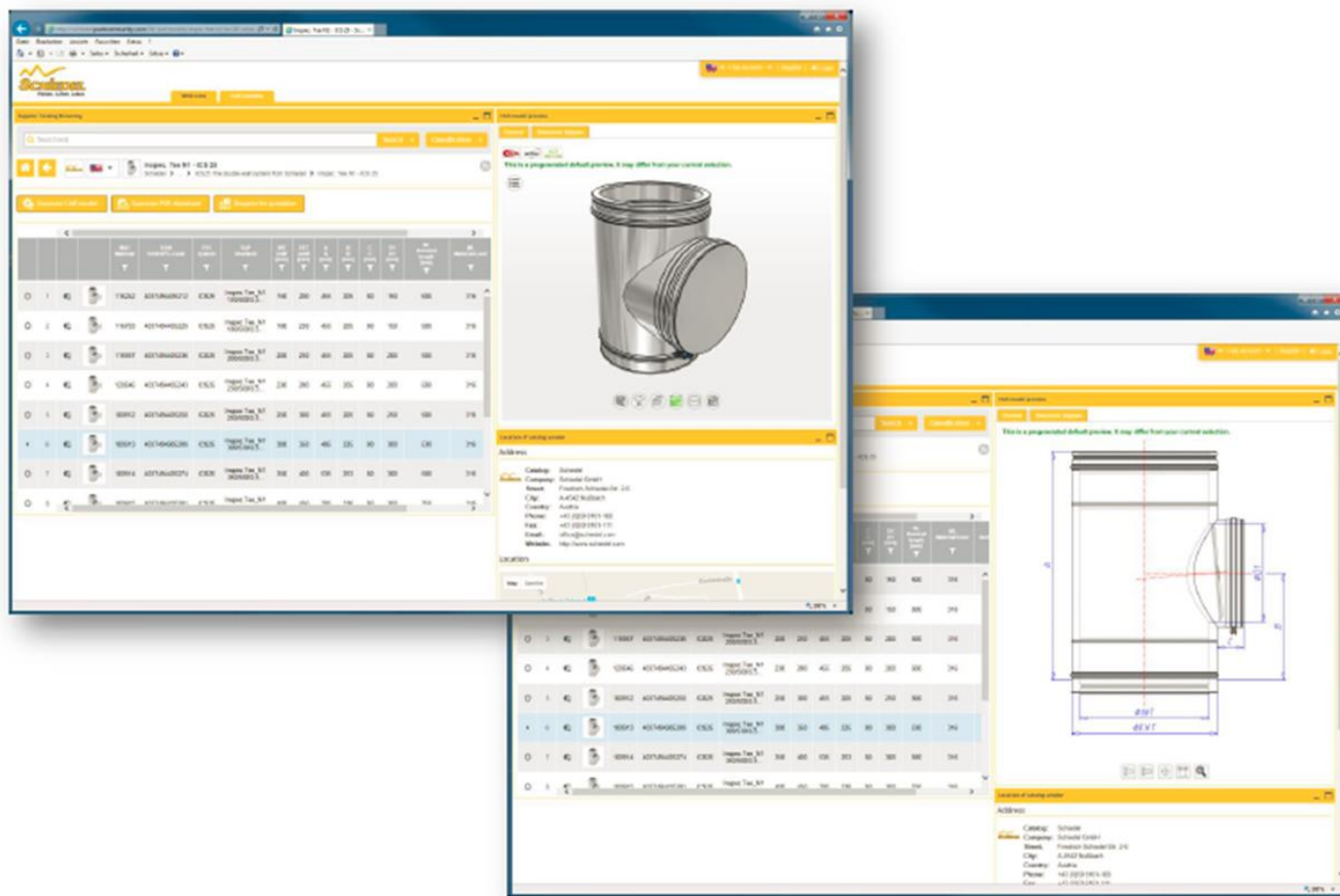
Register Cancel

# Početna stranica biblioteke



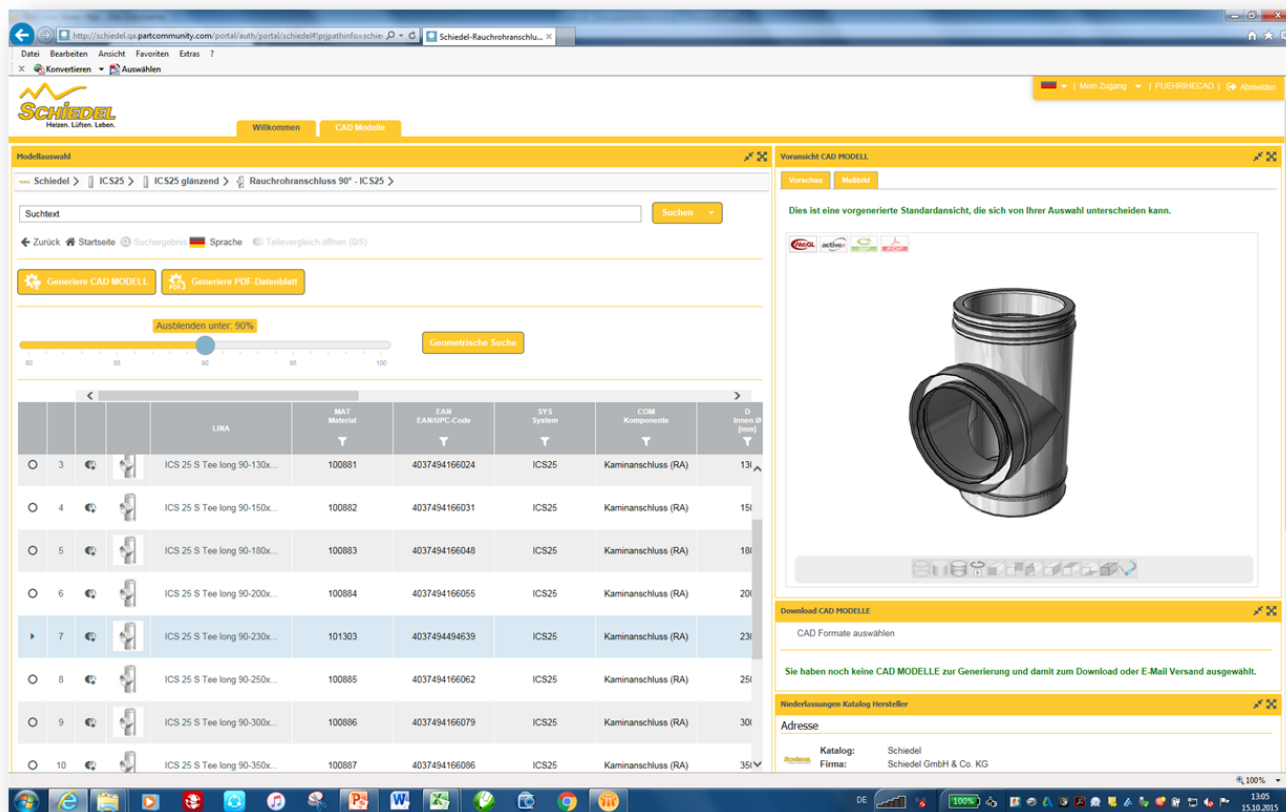


# Više različitih pogleda



# SCHIEDEL Homepage

Ovdje imate jednake funkcije i CAD formate kao u PARTmanager-u.

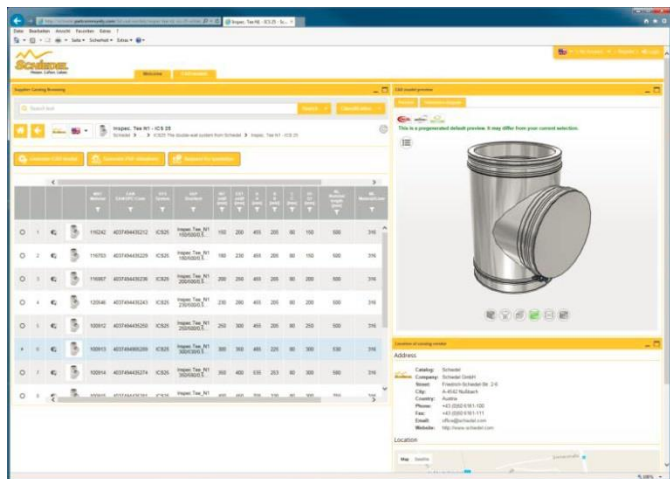


The screenshot shows the Schiedel website's CAD model generator interface. The main content area displays a search for 'Rauchrohranschluss 90° - ICS25' with a list of results. The results table includes columns for LINIA, MAT Material, EAN/EAN/UPC-Code, SYS System, COM Komponente, and D Innen Ø (mm).

	LINIA	MAT Material	EAN/EAN/UPC-Code	SYS System	COM Komponente	D Innen Ø (mm)
3	ICS 25 S Tee long 90-130x...	100881	4037494166024	ICS25	Kaminanschluss (RA)	131
4	ICS 25 S Tee long 90-150x...	100882	4037494166031	ICS25	Kaminanschluss (RA)	151
5	ICS 25 S Tee long 90-180x...	100883	4037494166048	ICS25	Kaminanschluss (RA)	181
6	ICS 25 S Tee long 90-200x...	100884	4037494166055	ICS25	Kaminanschluss (RA)	201
7	ICS 25 S Tee long 90-230x...	101303	4037494494639	ICS25	Kaminanschluss (RA)	231
8	ICS 25 S Tee long 90-250x...	100885	4037494166062	ICS25	Kaminanschluss (RA)	251
9	ICS 25 S Tee long 90-300x...	100886	4037494166079	ICS25	Kaminanschluss (RA)	301
10	ICS 25 S Tee long 90-350x...	100887	4037494166086	ICS25	Kaminanschluss (RA)	351

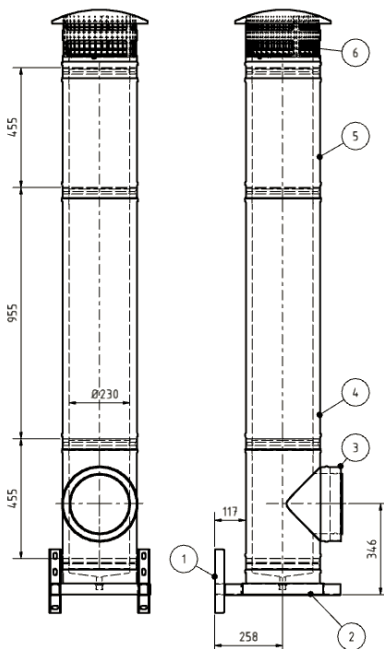
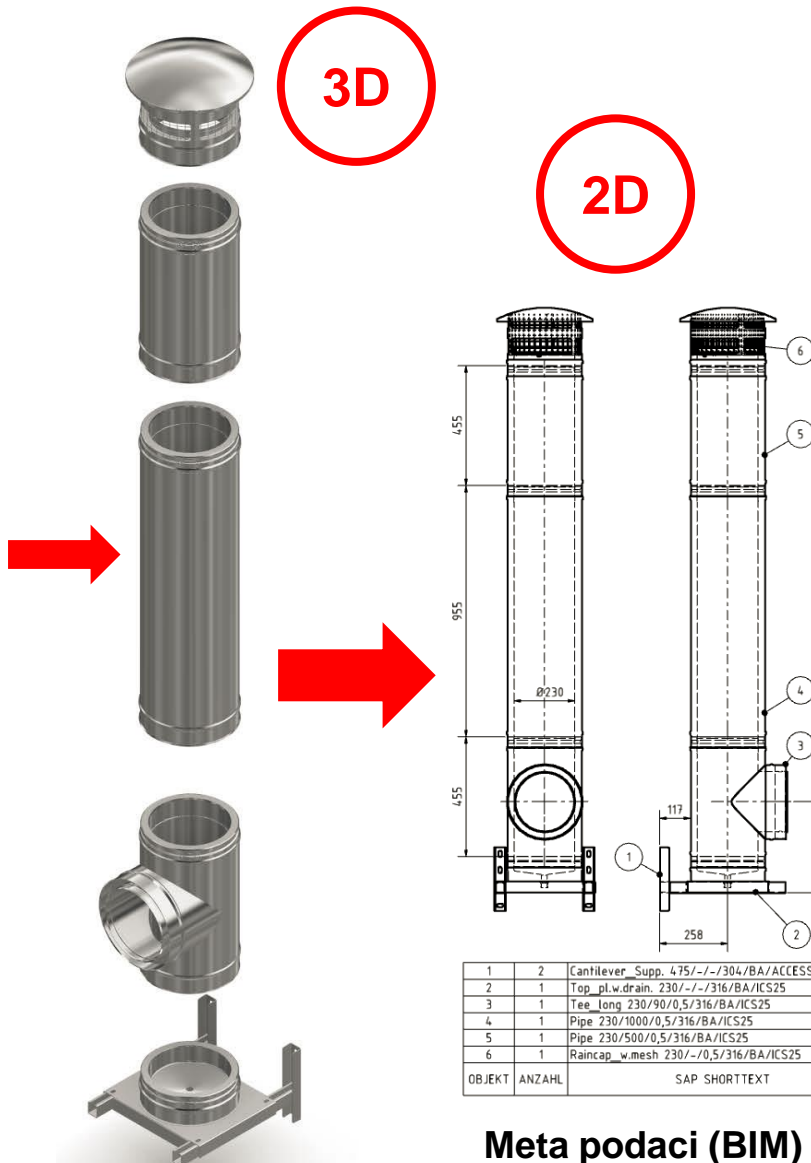
The right-hand side of the interface features a 'Vorschau CAD MODELL' window showing a 3D model of a chimney connector. Below the model, there are sections for 'Download CAD MODELLE' and 'Hersteller Katalog'.

# Kako koristiti biblioteku



## 3D BIM biblioteka

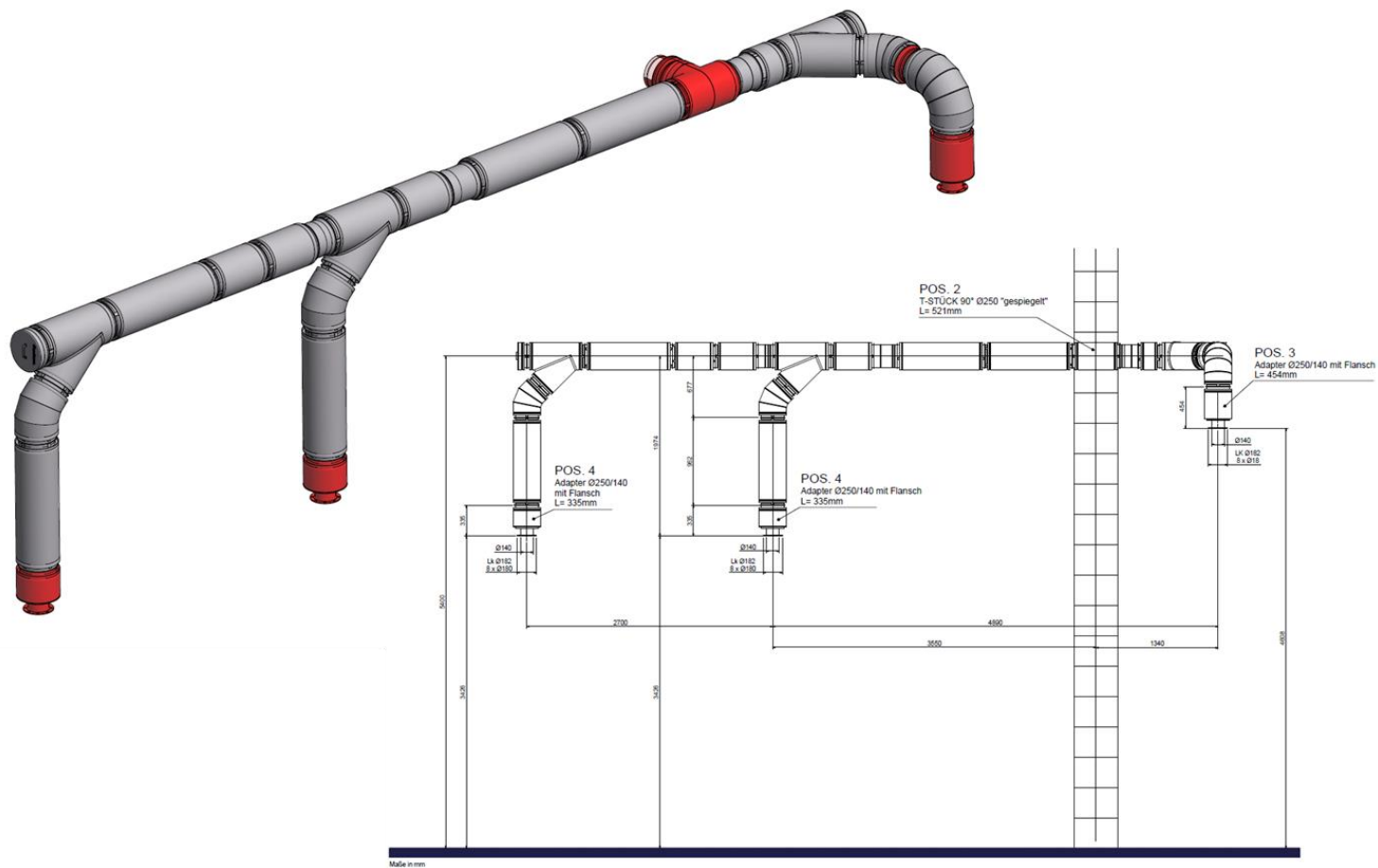
Eksport u oko 85 različitih 2D i 3D CAD formata  
(ukl. IFC format za BIM)



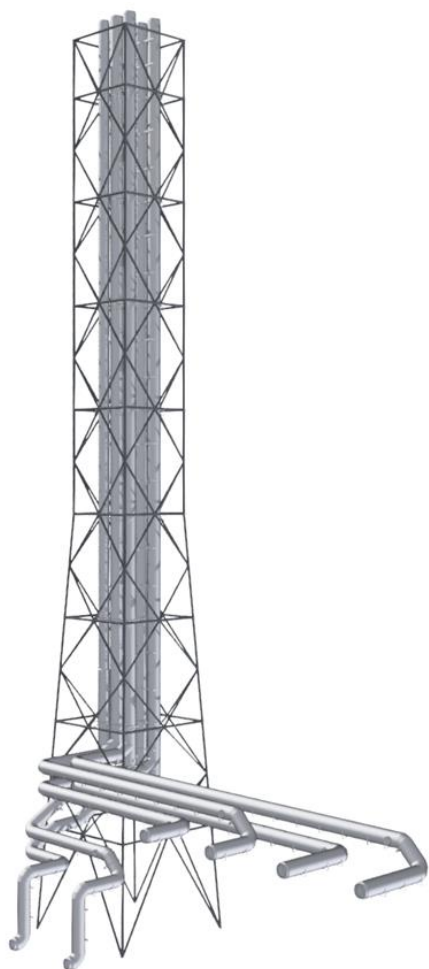
1	2	Cantilever_Supp. 475/-/-/304/BA/ACCESS	SCHIEDEL	1,54 kg	101743
2	1	Top_pl.w.drain. 230/-/-/316/BA/ICS25	SCHIEDEL	3,52 kg	101337
3	1	Tee_long 230/90/0,5/316/BA/ICS25	SCHIEDEL	9,75 kg	101303
4	1	Pipe 230/1000/0,5/316/BA/ICS25	SCHIEDEL	9,56 kg	100704
5	1	Pipe 230/500/0,5/316/BA/ICS25	SCHIEDEL	4,73 kg	101288
6	1	Raincap_w.mesh 230/-/0,5/316/BA/ICS25	SCHIEDEL	3,40 kg	116037
OBJEKT	ANZAHL	SAP SHORTTEXT	COMPANY	WEIGHT	MAT.NR.

**Meta podaci (BIM)**  
Sve informacije iz SAP

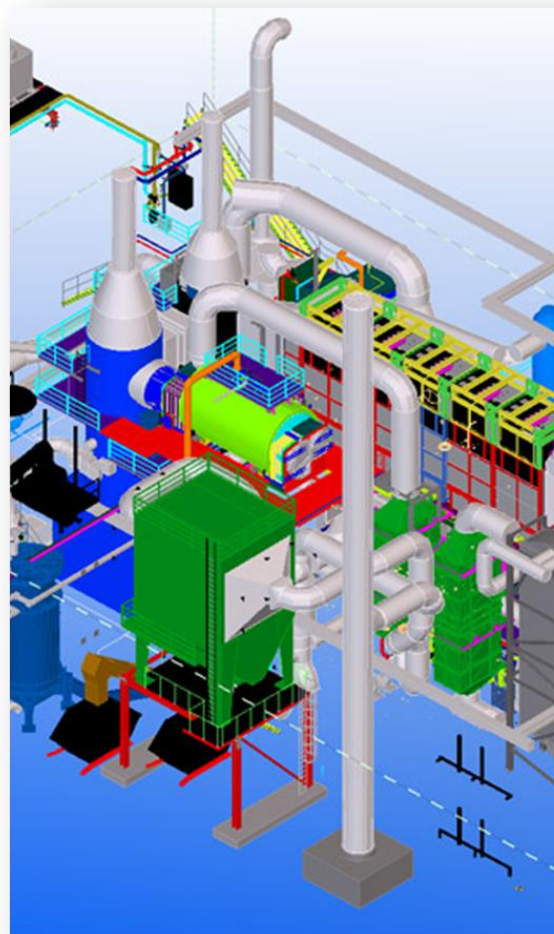
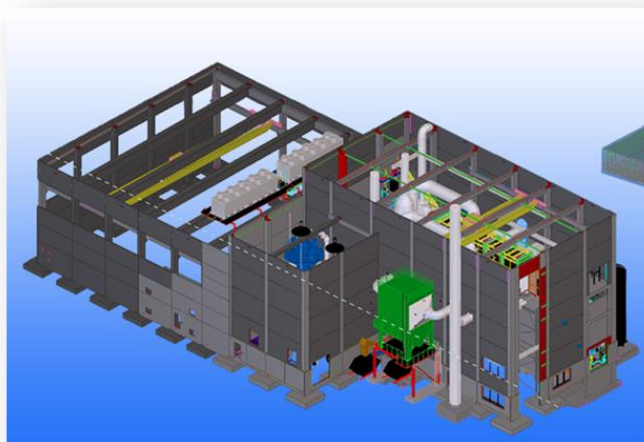
# Projektantski suport (sistem odvoda dimnih plinova u ljevaonici aluminija) HP5000 Ø250



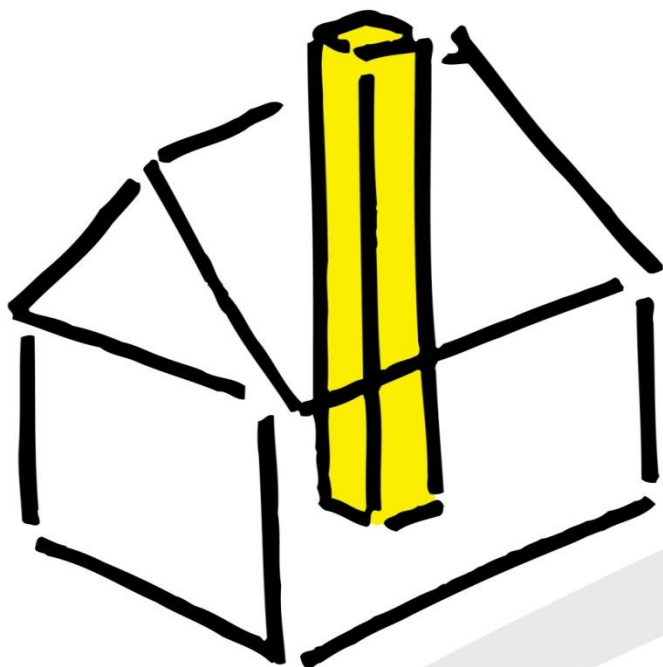
# Projektantski suport (Hokejaška dvorana - Russia) ICS25 Ø900



## BIM model (Max Bögl)







*Hvala Vam na  
pozornosti!*

